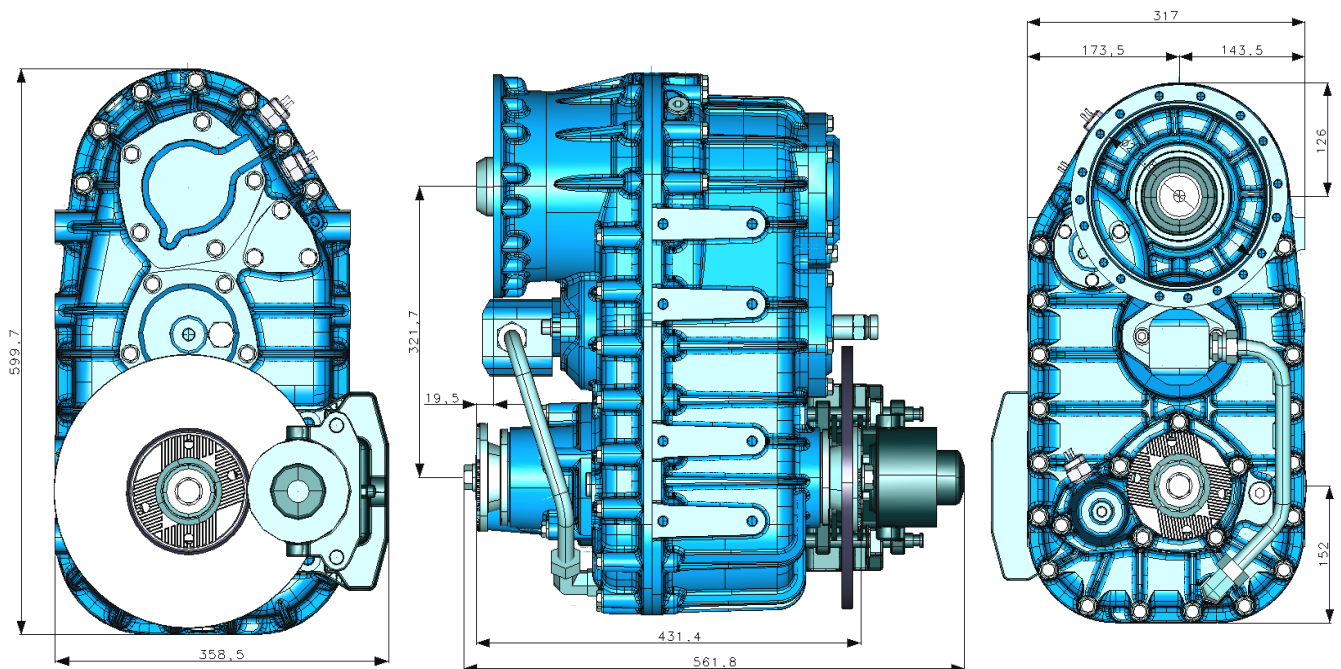


PRODUCT SPECIFICATION

TRANSFER CASE TCA850



TECHNICAL DATA

Maximum Input Torque	8 000 Nm		
Maximum Input Speed version V1	3 600 RPM		
Total Offset Distance	321,7 mm		
High Speed Ratio	1,1		
Low Speed Ratio	1,94		
Split torque differential Ratio	34:66 with Lock		
Shifting –	air operated, electrical signal in high and low speed position air operated, electrical signal in differential lock on position air pressure 6,5÷8,0 bar		
Lubrication –	internal oil pump, possibility of external cooling circuit		
Oil Capacity	approx. 4 l		
Oil Specification	SAE 75W-90, Multi-Purpose Gear Oil, API-GL-5 or MIL-L-2105C or CD		
Maximum Working Temperature	125°C		
Weight	approx. 115 kg		
Flanges	Front Axle	Rear Axle	
	KV120	KV120	
Parking Brake Type	KNOTT FSG90 102 709		
Disc Wheel Diameter	φ290mm		

Address: Lubina 462, 742 21 Kopřivnice, CZECH REPUBLIC

Phone: +420 556 808 037, Fax: +420 556 808 685, vneuman@ads-cz.com, www.ads-cz.com