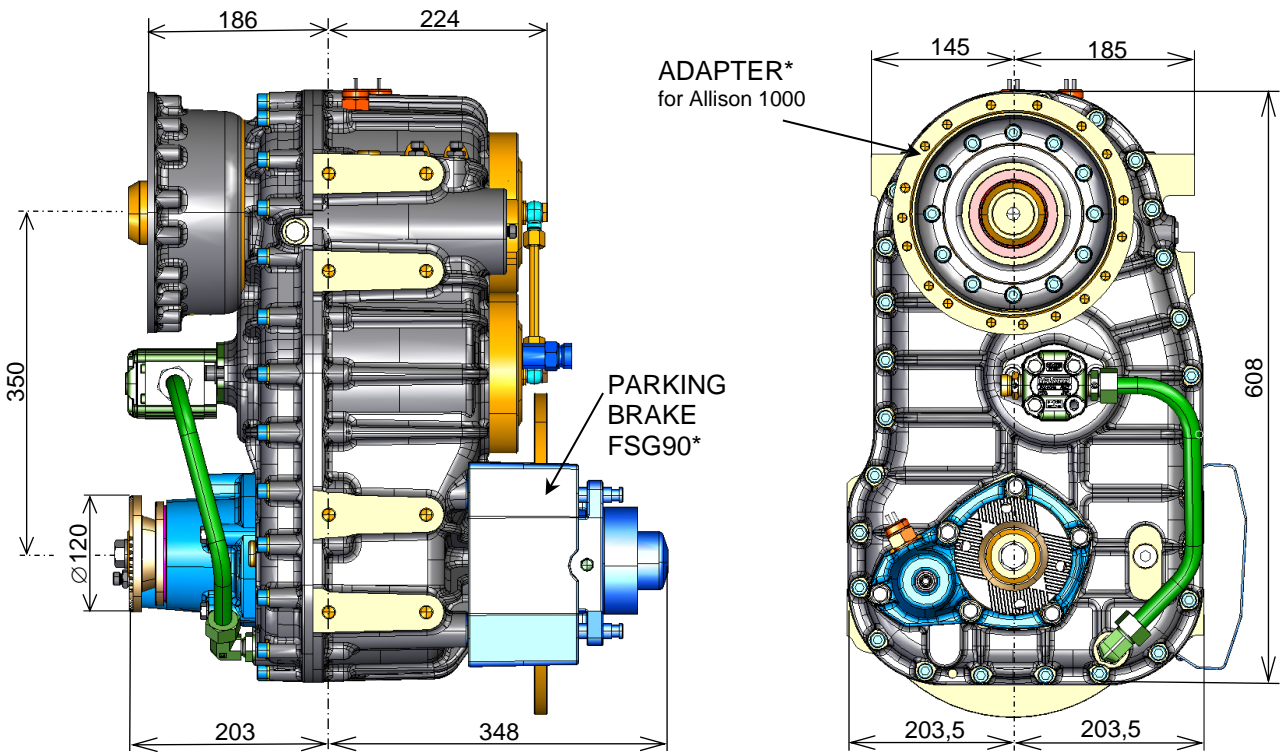


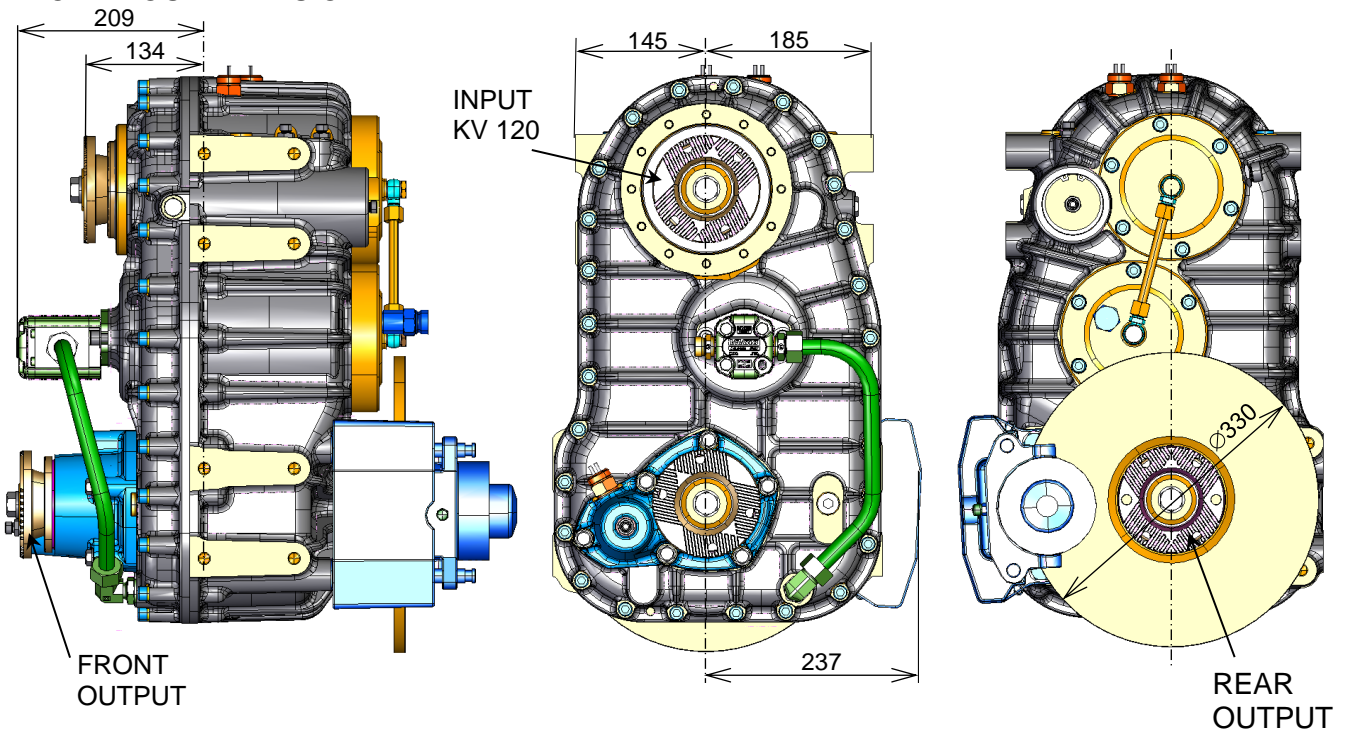
PRODUCT SPECIFICATION

**TRANSFER CASE TC820**

DIRECT MOUNT VERSION



REMOTE MOUNT VERSION



\*OPTIONAL ACCESSORY

## PRODUCT SPECIFICATION

# TRANSFER CASE TC820

## TECHNICAL DATA

Maximum Input Torque	7 000 Nm		
Maximum Input Speed version V1	3 500 RPM		
Total Offset Distance	350 mm		
High Speed Ratio	1,24		
Low Speed Ratio	2,80		
Split torque differential Ratio	1:2 with the LOCK		
Shifting –	air operated, electrical signal in high and low speed position air operated, electrical signal in differential lock on position air pressure 6,5÷8,5 bar		
Lubrication –	internal oil pump, possibility of external cooling circuit		
Oil Capacity	3,2l – according oil level plug		
Oil Specification	SAE 75W-90, Multi-Purpose Gear Oil, API-GL-5 or MIL-L-2105C or CD		
Maximum Working Temperature	120°C		
Weight	135 Kg – depend on configuration		
Flanges	Input	Front Axle	Rear Axle
	DIRECT or KV120	KV120	KV120

## \*OPTIONAL ACCESSORIES

Direct mount provision	For Allison 1000-2500
Parking brake option	1x FSG 90; 2xFSG 90 or without brake
Without Differential	Air operated shifting of 4x4; 4x2 model

