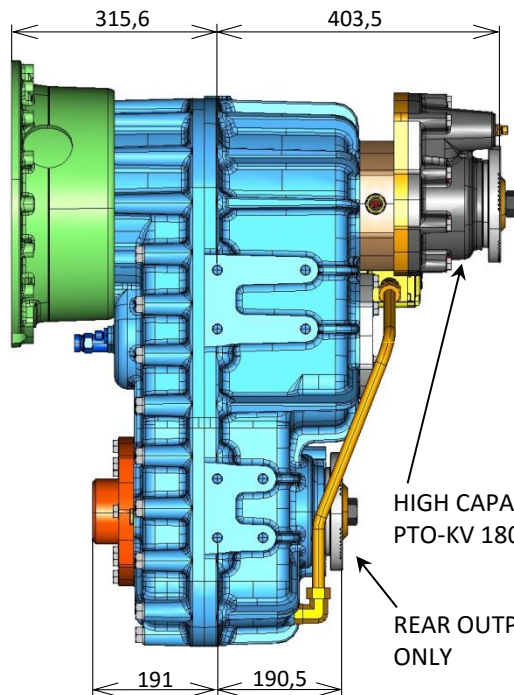


PRODUCT SPECIFICATION

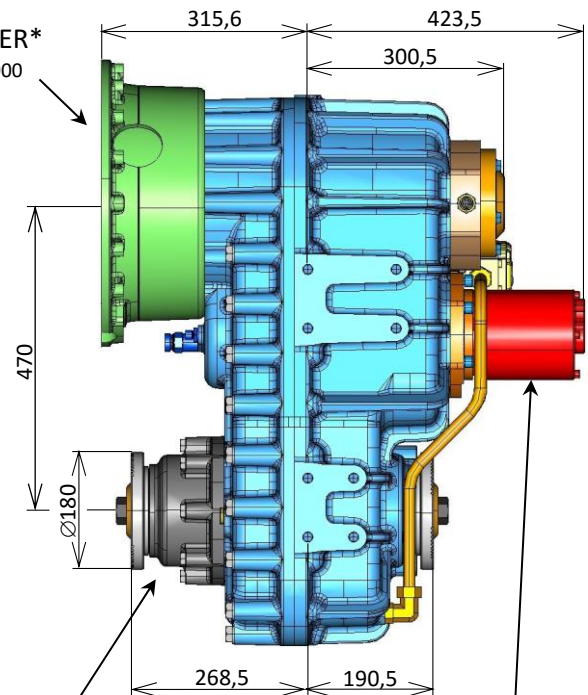
TRANSFER CASE TC2600



**DIRECT MOUNT VERSION
TC2600 115 4200**

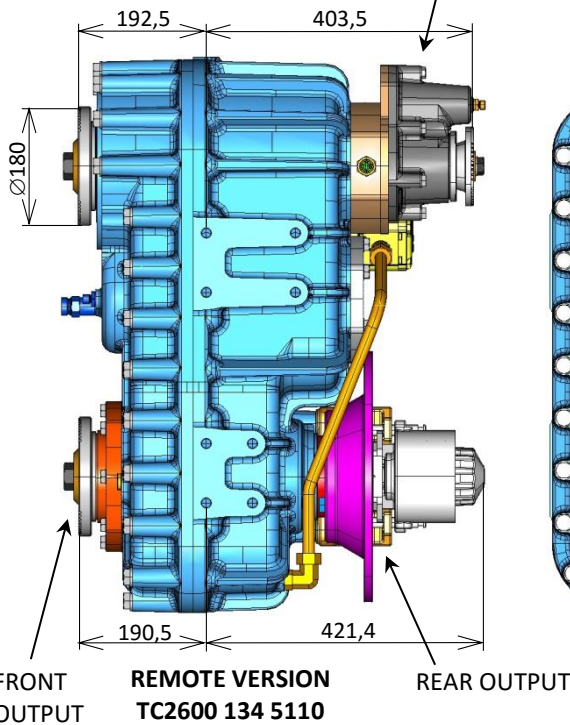
STANDARD PTO KV 120
DIFFERENTIAL 30/70 or 50/50

ADAPTER*
Allison 4000

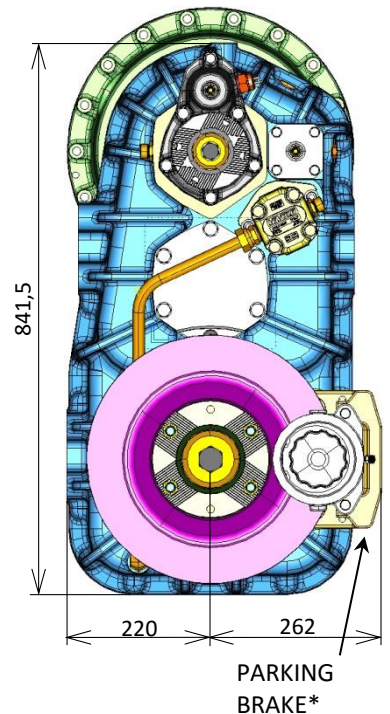
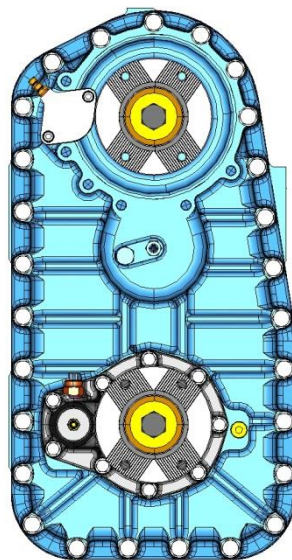


**DIRECT MOUNT VERSION
TC2600 125 2301**

EMERGENCY STEERING PUMP*



**REMOTE VERSION
TC2600 134 5110**



PARKING BRAKE*

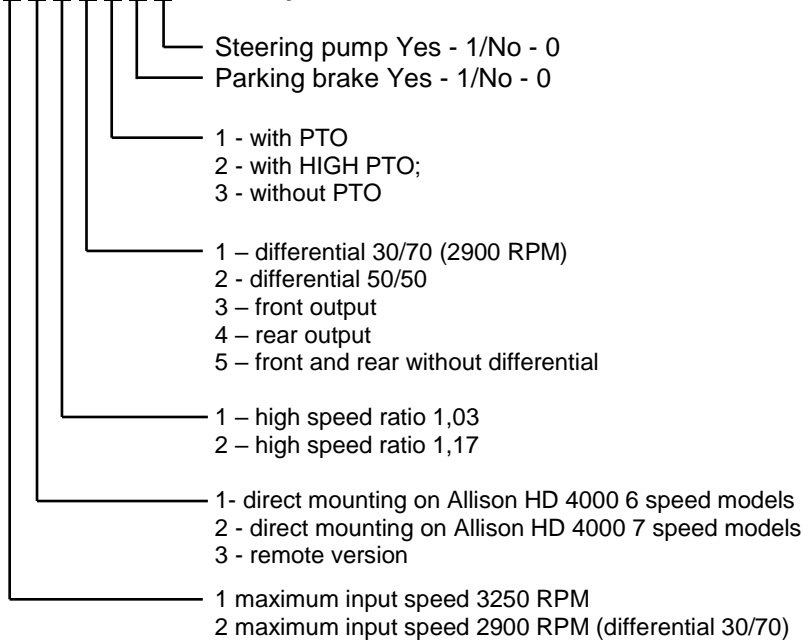
*OPTIONAL ACCESSORY

PRODUCT SPECIFICATION

TRANSFER CASE TC2600

VERSION SPECIFICATION:

TC 2600 X X X X X X Example: TC2600 135 2210



TECHNICAL DATA

Maximum Input Torque	26 000 Nm				
Maximum Input Speed	version V1	3 250 RPM			
	version V2	2 900 RPM			
Total Offset Distance	470 mm				
High Speed Ratio	1,17 or 1,03				
Low Speed Ratio	1,87				
Split torque differential Ratio	28,6:71,4 or 50:50 with lock				
Shifting –	air operated, electrical signal in neutral and low speed position air pressure 6,5÷8,5 bar				
Lubrication –	internal oil pump, possibility of external cooling circuit				
Oil Capacity	6,5l – according oil level plug				
Oil Specification	SAE 75W-90, Multi-Purpose Gear Oil, API-GL-5 or MIL-L-2105C or CD				
Maximum Working Temperature	130°C				
Weight	405 – 495 kg – depends on configuration				
Flanges	Input	Front Axle	Rear Axle	PTO	HIGH PTO
	KV180	KV180	KV180	KV120	KV180

*OPTIONAL ACCESSORIES

Direct mount provision	For Allison 4000
Parking brake option	FSG 110
Emergency steering pump option	Yes / No (ZF 8607 955 130 or 8607 955 150)
Without Differential	Yes / No
PTO HIGH PTO	Maximum Nominal Torque: 5000 Nm Maximum Nominal Torque: 6000 Nm Air operated engage, electric signal in “ON” position