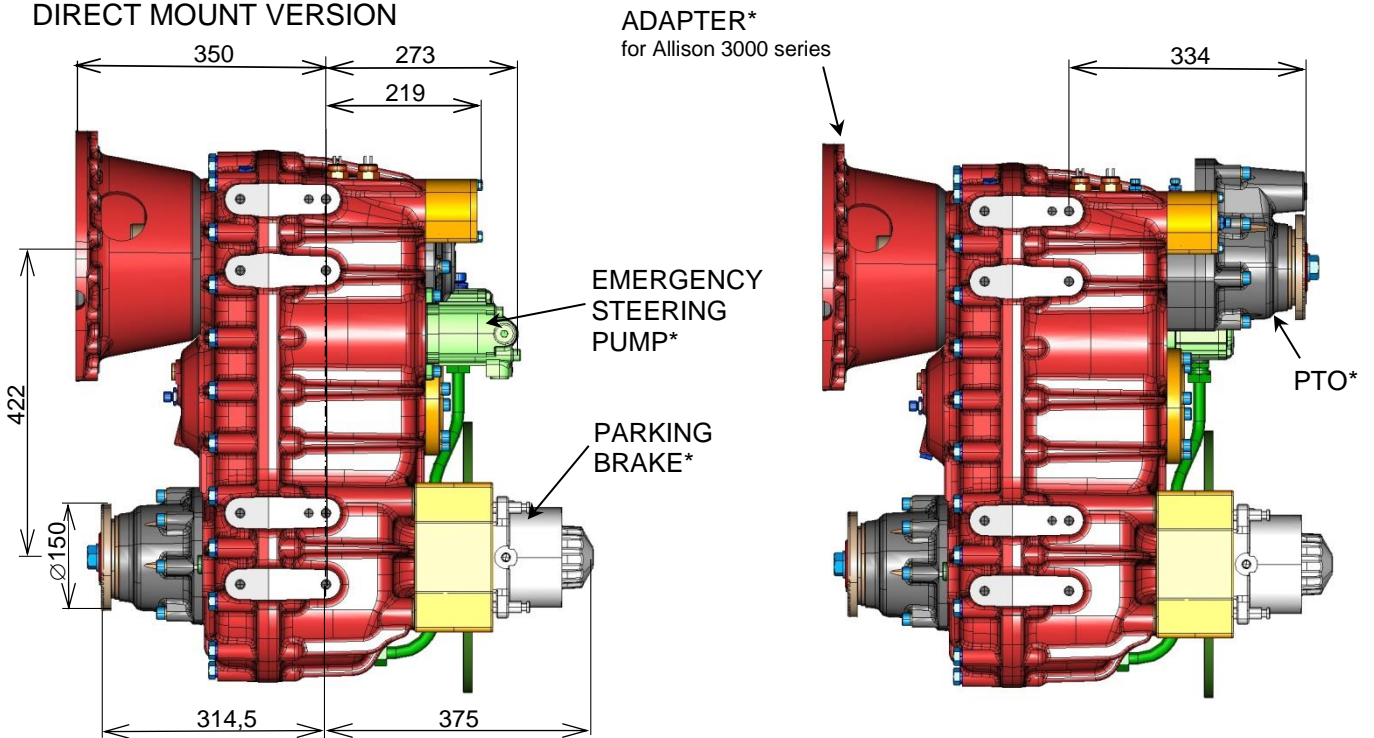


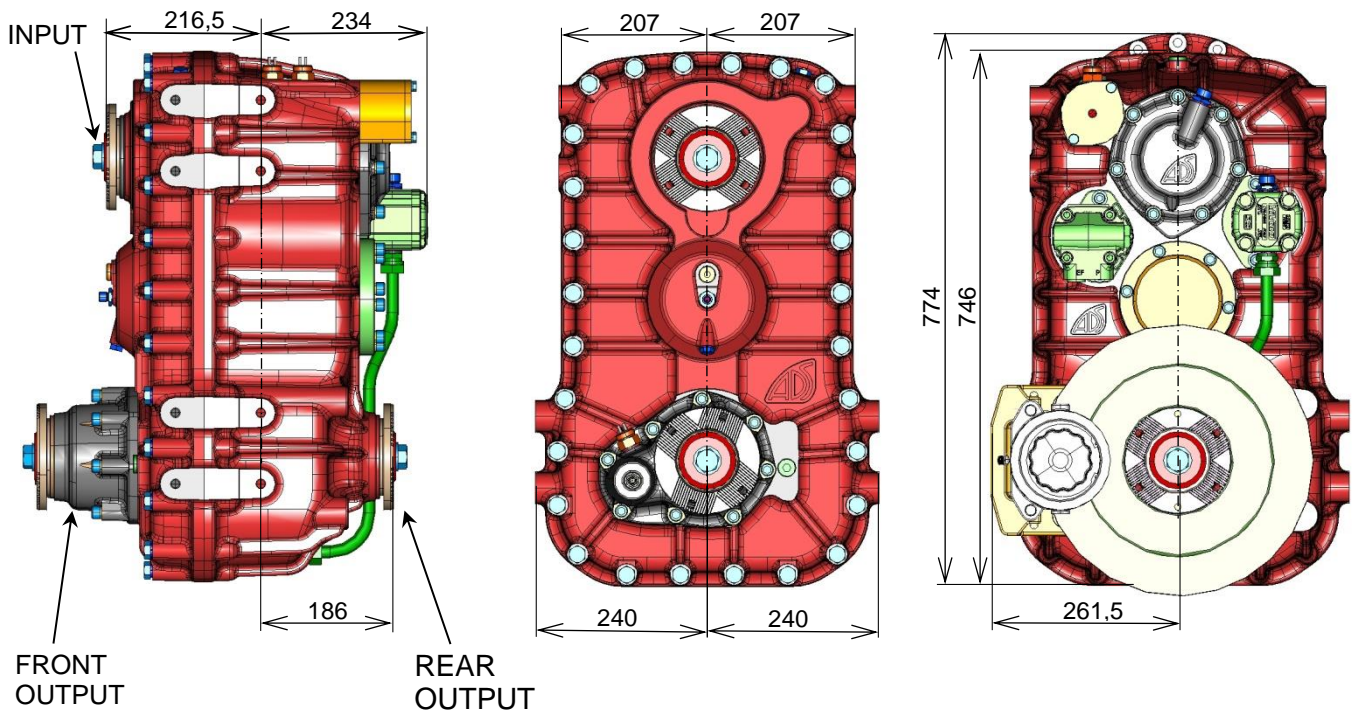
PRODUCT SPECIFICATION

TRANSFER CASE TC1600

DIRECT MOUNT VERSION



REMOTE MOUNT VERSION



*OPTIONAL ACCESSORY

PRODUCT SPECIFICATION

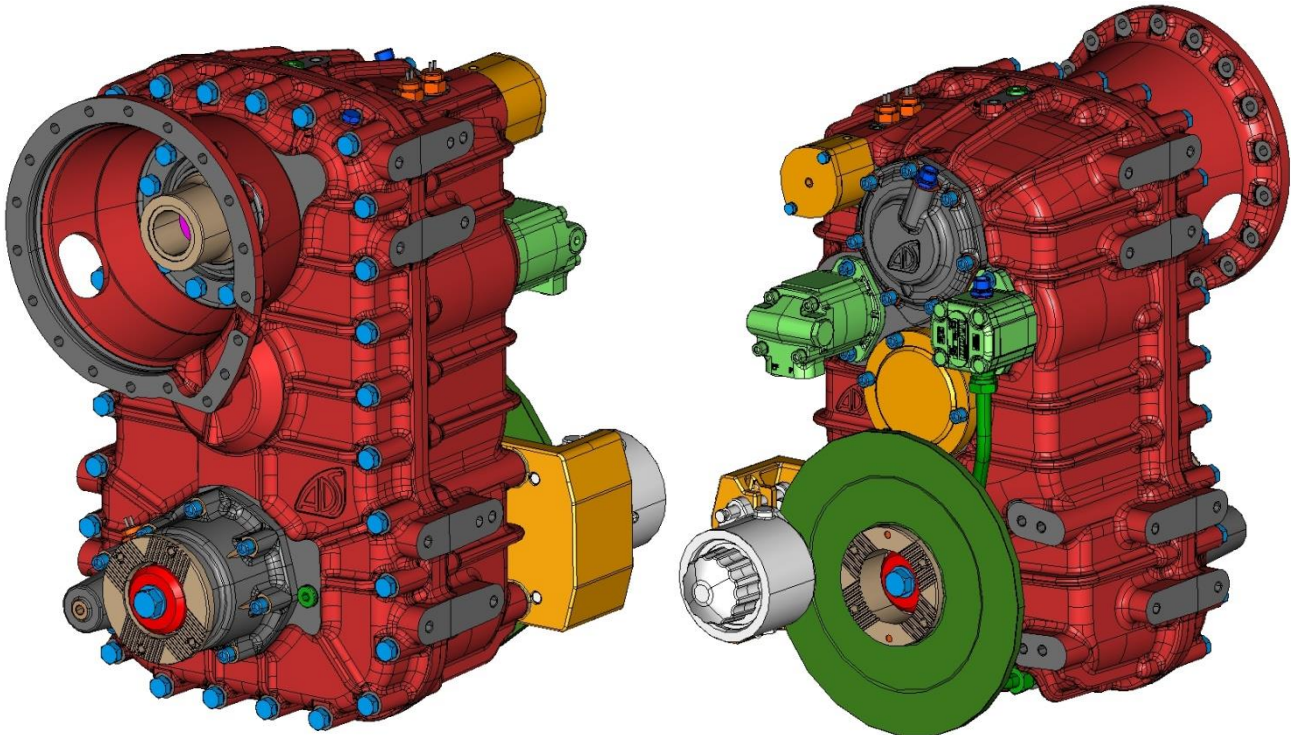
TRANSFER CASE TC1600

TECHNICAL DATA

Maximum Input Torque	16 000 Nm			
Maximum Input Speed version V1	3 500 RPM			
Total Offset Distance	422 mm			
High Speed Ratio	1,3			
Low Speed Ratio	2,27 or 2,55			
Split torque differential Ratio	1:2 or 1:1			
Shifting –	air operated, electrical signal in neutral and low speed position air pressure 6,5÷8,5 bar			
Lubrication –	internal oil pump, possibility of external cooling circuit			
Oil Capacity	7,5l – according oil level plug			
Oil Specification	SAE 75W-90, Multi-Purpose Gear Oil, API-GL-5 or MIL-L-2105C or CD			
Maximum Working Temperature	120°C			
Weight	290 – 410 kg – depend on configuration			
Flanges	Input	Front Axle	Rear Axle	PTO
	KV150	KV150	KV150	KV150

*OPTIONAL ACCESSORIES

Direct mount provision	For Allison 3000
Parking brake option	Without parking Brake, FSG 110; 2xFSG 110
Emergency steering pump option	Yes / No
Without Differential	Air operated shifting of 4x4; 4x2 mode
PTO	Maximum Nominal Torque: 5000 Nm Maximum Torque, Static Value: 7000 Nm Air operated engage, electric signal in "ON" position



Address: Lubina 462, 742 21 Kopřivnice, CZECH REPUBLIC

Phone: +420 556 808 037, Fax: +420 556 808 685, vneuman@ads-cz.com, www.ads-cz.com