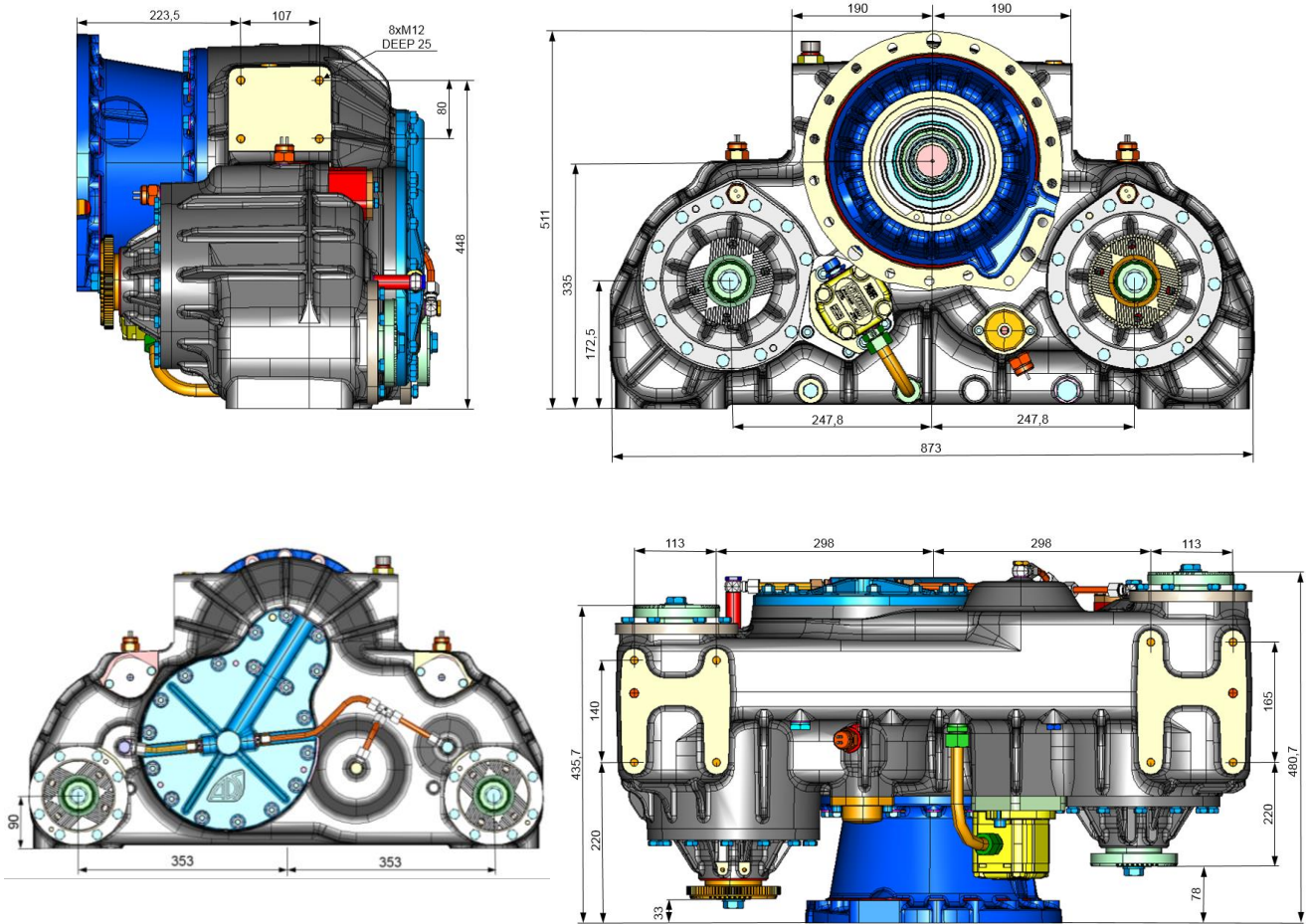


PRODUCT SPECIFICATION
DROP BOX DP1200



TECHNICAL DATA

| | | | | |
|---|---|-------------|-----------|------------|
| Maximum Input Torque | 12 000 Nm | | | |
| Maximum Input Speed version V1 | 3 200 RPM | | | |
| Total Drop Box Ratio | 0,893 | | | |
| Split torque differential Ratio | 1,916 (34:66%) | | | |
| The neutral position in the drop box included, towing speed with neutral limited to 30 km/h | | | | |
| Differential Left / Right side integrated | | | | |
| Shifting – | air operated, electrical signal in differential lock and neutral position air pressure 6,5÷8,0 bar | | | |
| Lubrication – internal oil pump, possibility of external cooling circuit | | | | |
| Oil Capacity | Approx.. 10,5l | | | |
| Oil Specification | SAE 75W-90, Multi-Purpose Gear Oil, API-GL-5 or MIL-L-2105C or CD | | | |
| Maximum Working Temperature | 125°C | | | |
| Weight | 235 Kg | | | |
| Flanges | Front LEFT | Front RIGHT | Rear LEFT | Rear RIGHT |
| | KV120 | KV120 | KV120 | KV120 |
| Direct installation on Allison MD 3500 | | | | |

Address: Lubina 462, 742 21 Kopřivnice, CZECH REPUBLIC
 Phone: +420 556 808 037, Fax: +420 556 808 685, vneuman@ads-cz.com, www.ads-cz.com