

PRODUCT OPTION

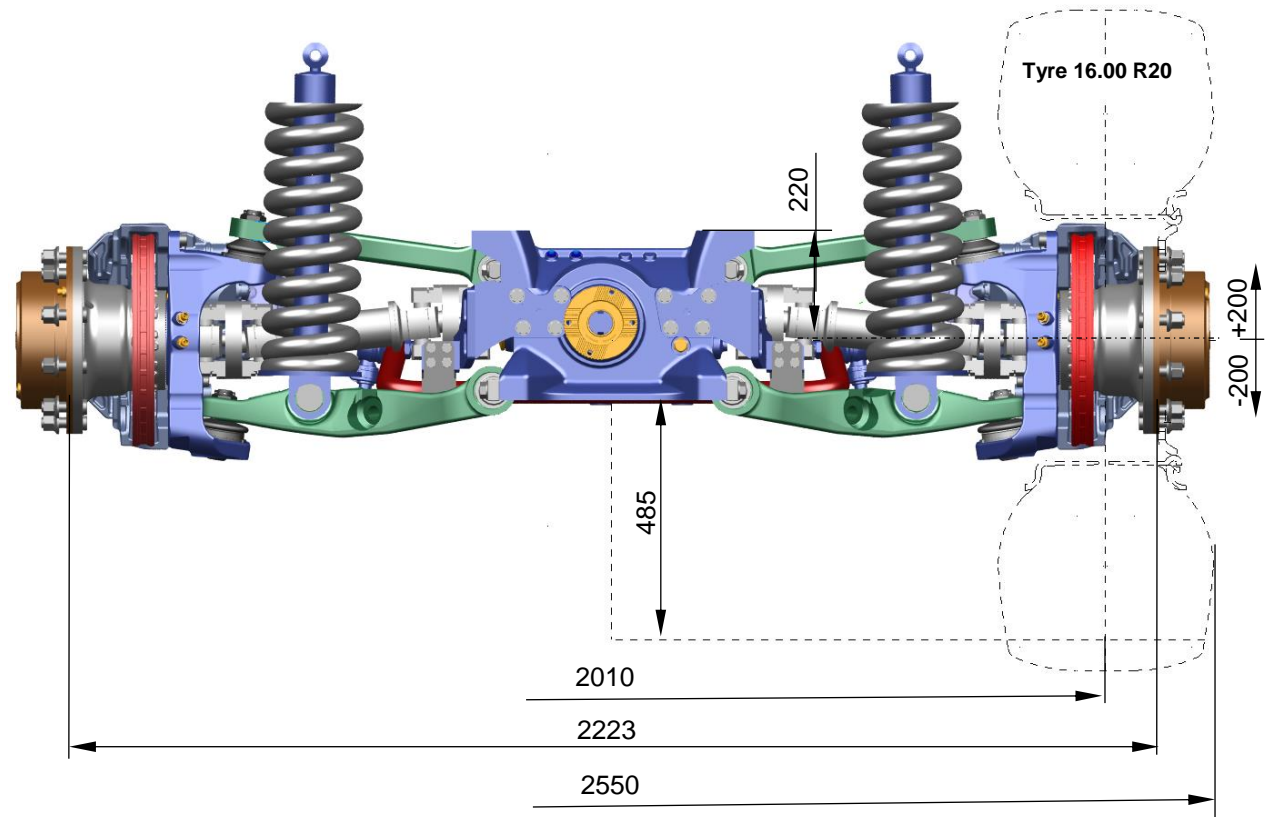
INDEPENDENT SUSPENSION AXLE SYSTEM AX95

TECHNICAL DATA

Static Axle Load – Front	up to 12 000 kg
– Rear	up to 13 000 kg
Axle Differential Ratio	1,75
Wheel Gear Ratio	4,0
Overall Ratio	7,0
Maximum Input Torque	12 000 Nm
Maximum Input Speed	3 000 RPM
Suspension	Coil Spring
Damping	Hydraulic Damper
Total wheel travel	400mm
Maximum Wheel Angle Inside / Outside	35° / 28,5°
Differential Oil Capacity	9,0 l
Oil Capacity	1,3 l
Oil Specification	SAE 75W-90, Multi-Purpose Gear Oil, API-GL-5 or MIL-L-2105C or CD
Max. Working Differential Temperature	120°C
Max. Working Temperature of Wheel Gear	100°C
Brake	Pneumatic Brakes Knorr, Ventilated Disc Ø432
Tyre	16.00 R20
Wheel Mount	20" 10-Bolt - Hub Piloted, 335mm (13,19")
Weight	Front Axle 950kg, Rear Axle 920kg, Drive Through Axle 1010kg

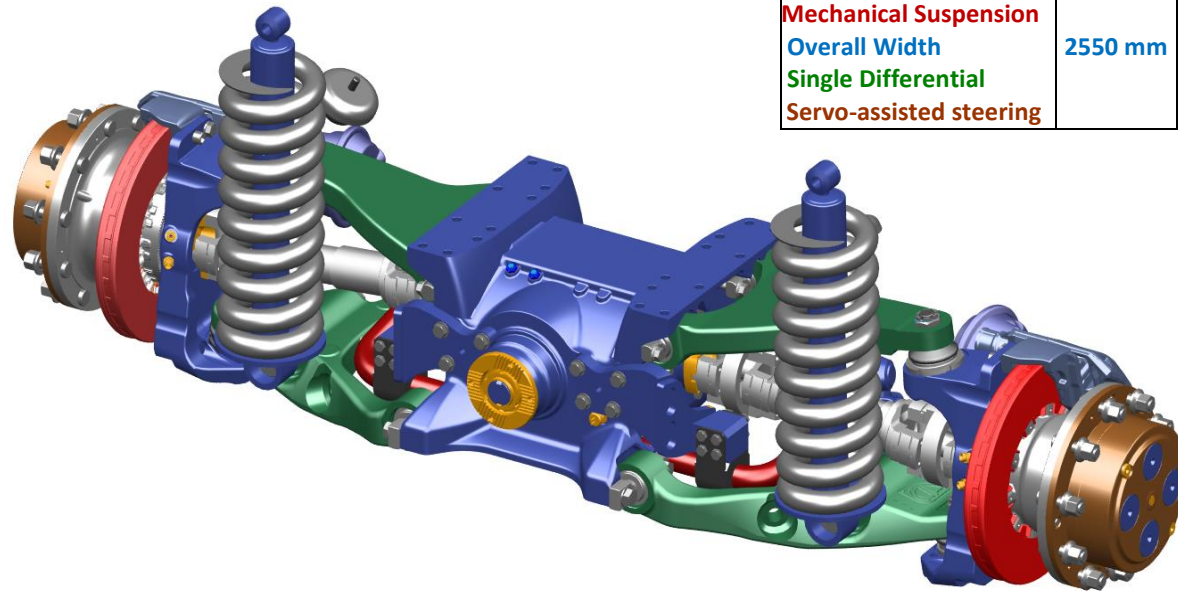
Option:

Suspension	Hydropneumatic with Height Management System option
Differential	Drive through differential with IAD 1:1
AWS	Remote electro-hydraulic steering

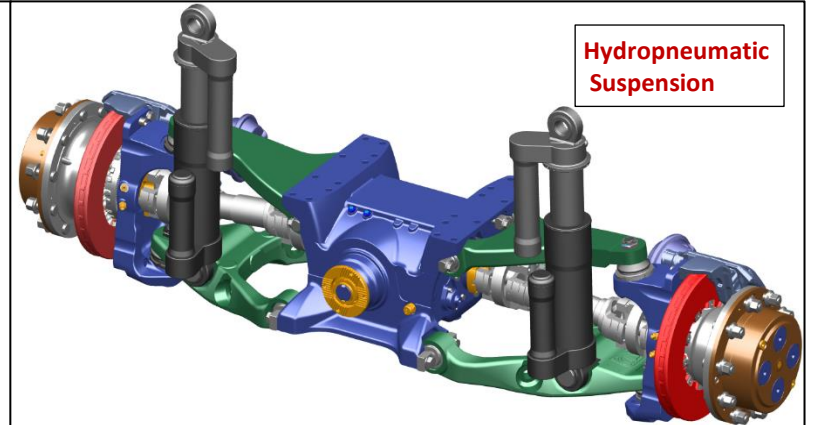


PRODUCT OPTION

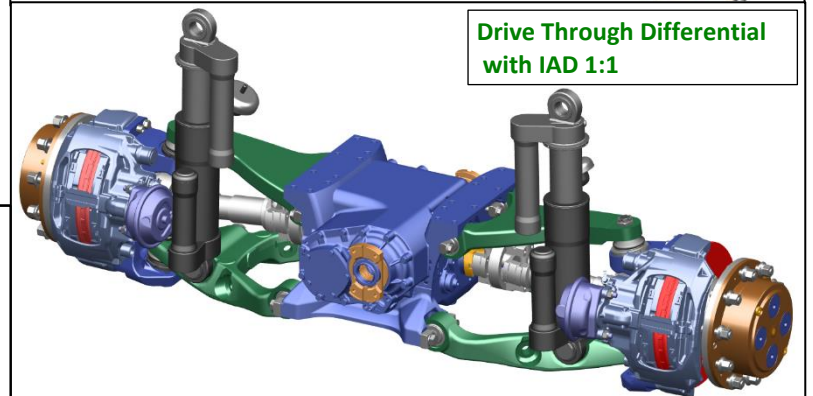
INDEPENDENT SUSPENSION AXLE SYSTEM AX95



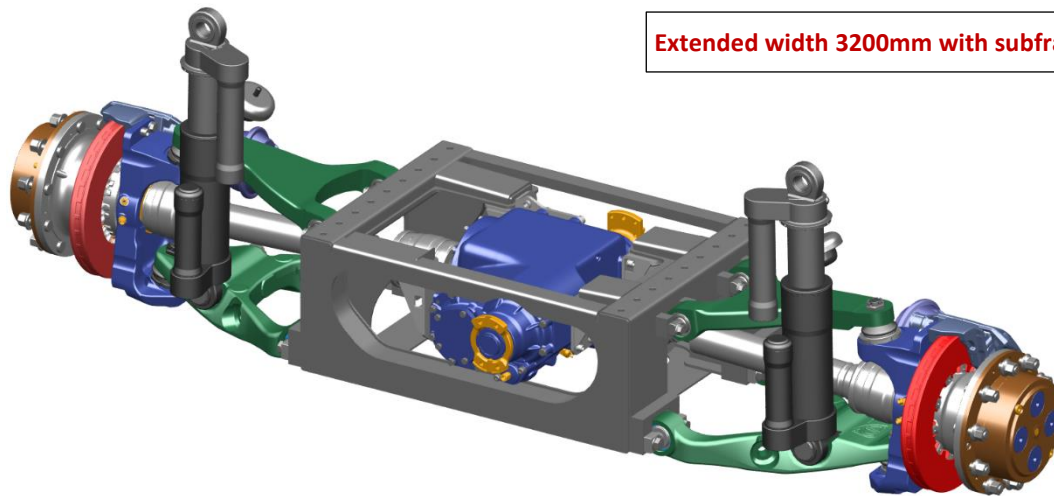
Mechanical Suspension	2550 mm
Overall Width	
Single Differential	
Servo-assisted steering	



Hydropneumatic Suspension



Drive Through Differential with IAD 1:1



Extended width 3200mm with subframe

Remote Electro-hydraulic Steering, AWS

