

PRODUCT SPECIFICATION

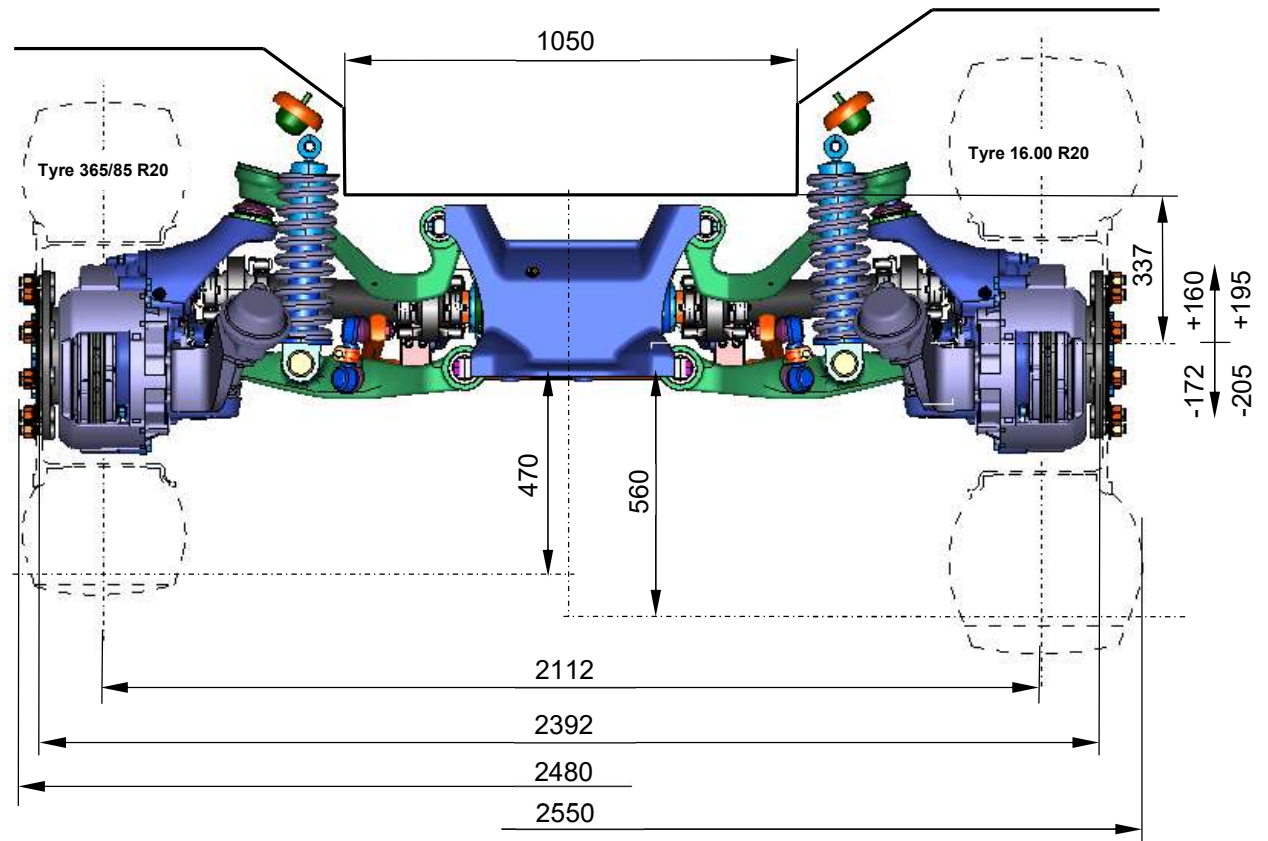
INDEPENDENT SUSPENSION AXLE SYSTEM AX90

TECHNICAL DATA

Static Axle Load (Front / Rear)	10 000 kg / 11 500 kg	
Axle Differential Ratio	1,75	
Wheel Gear Ratio	2,57	3,0
Overall Ratio	4,5	5,25
Maximum Input Torque	12 000 Nm	
Maximum Input Speed	3 000 RPM	
Suspension	Coil Spring	
Damping	Hydraulic Damper	
Total wheel travel	332mm / option 400mm	
Maximum wheel Angle Inside / Outside	34,5° / 29,5°	
Differential Oil Capacity	9,0 l	
Oil Capacity	1,4 l	
Oil Specification	SAE 75W-90, Multi-Purpose Gear Oil, API-GL-5 or MIL-L-2105C or CD	
Max. Working Differential Temperature	120°C	
Max. Working Temperature of Wheel Gear	100°C	
Brake	Pneumatic Brakes Wabco, Ventilated Disc Ø410 – standard	
Tyre	365/85 R20 to 16.00 R20	
Weight	Front Axle 948Kg, Rear Axle 948Kg,	

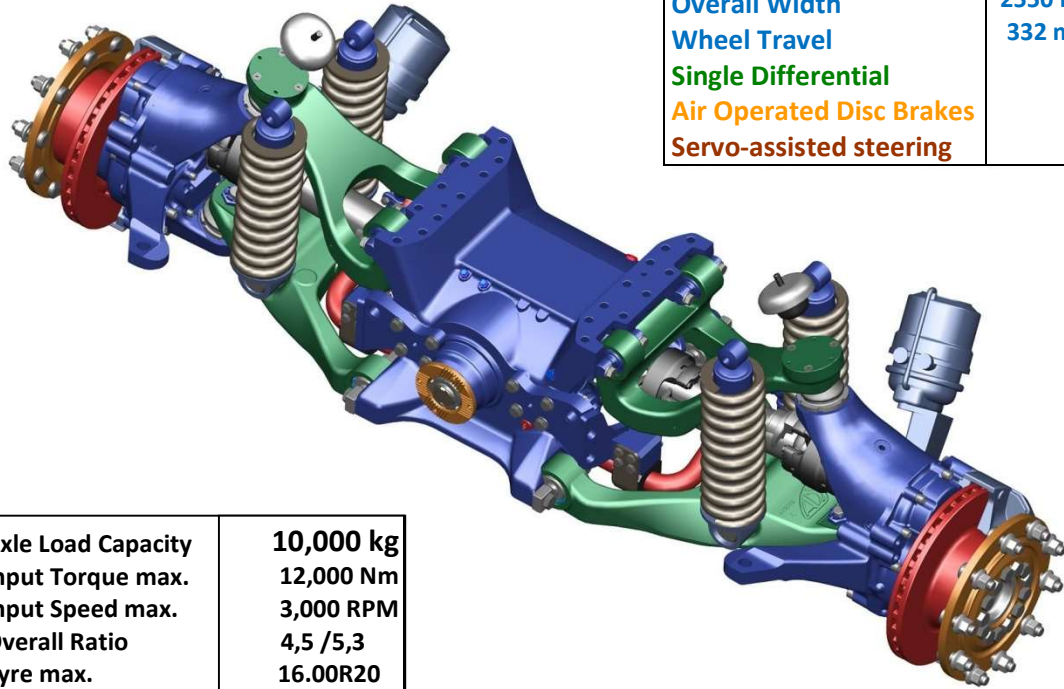
Option:

Suspension	Hydropneumatic
Width	2800mm / Total wheel travel 400mm
Differential	Drive through differential with IAD 1:1
Brake	Hydraulic Brakes Knott 2x calipers 4x60/wheel
AWS	Remote electro-hydraulic steering



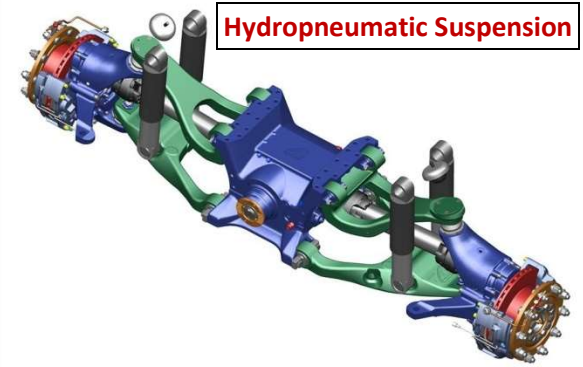
PRODUCT OPTION

INDEPENDENT SUSPENSION AXLE SYSTEM AX90

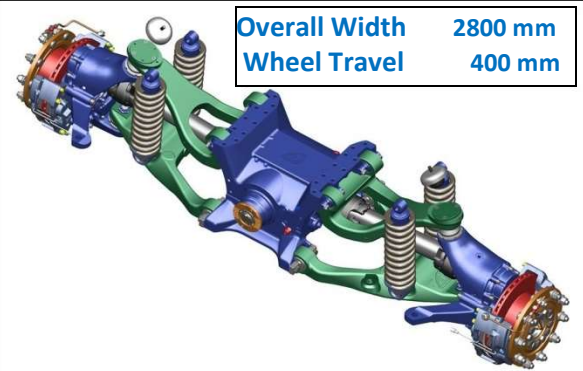


Mechanical Suspension
Overall Width 2550 mm
Wheel Travel 332 mm
Single Differential
Air Operated Disc Brakes
Servo-assisted steering

Axle Load Capacity	10,000 kg
Input Torque max.	12,000 Nm
Input Speed max.	3,000 RPM
Overall Ratio	4,5 /5,3
Tyre max.	16.00R20

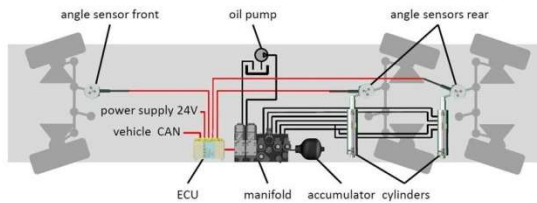


Hydropneumatic Suspension



Overall Width 2800 mm
Wheel Travel 400 mm

Remote Electro-hydraulic Steering, AWS



Hydraulic Disc Brakes



Drive Through Differential with IAD 1:1

