

PRODUCT SPECIFICATION

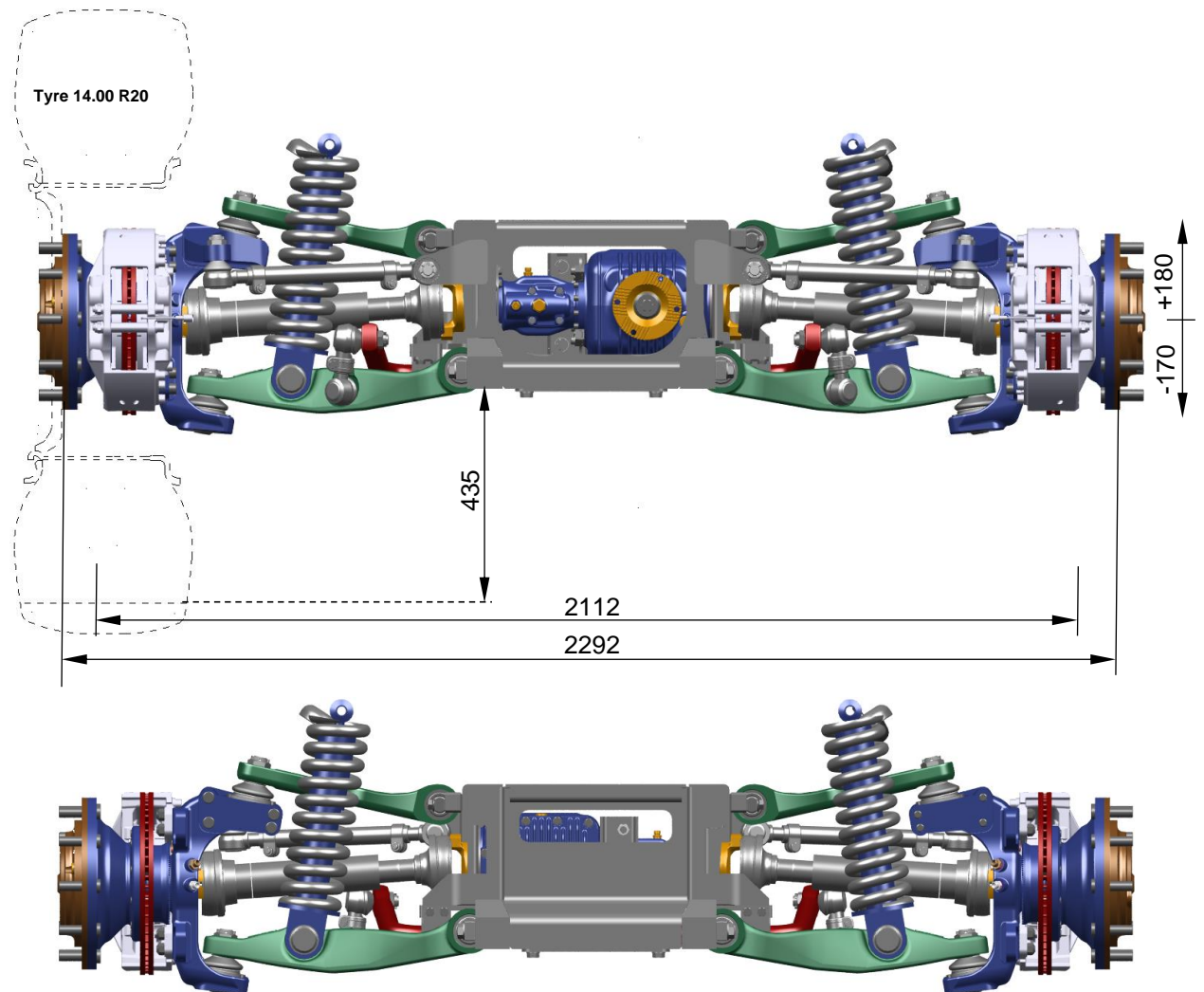
INDEPENDENT SUSPENSION AXLE SYSTEM AX75

TECHNICAL DATA

Static Axle Load, Front/Rear	7 500 kg / 8 000 kg
Axle Differential Ratio	1,692
Wheel Gear Ratio	4,0
Overall Ratio	6,76
Maximum Input Torque	7 300 Nm
Maximum Input Speed	3 500 RPM
Suspension	Coil Spring
Damping	Hydraulic Damper
Total Wheel Travel	350mm
Maximum Wheel Angle Inside / Outside	37,0° / 27°
Differential Oil Capacity	approx. 3,30 l
Wheel Gear Oil Capacity	approx. 1,10 l
Oil Specification	SAE 75W-90, Multi Purpose Gear Oil, API-GL-5 or MIL-L-2105C
Max. Working Differential Temperature	120°C
Max. Working Temperature of Wheel Gear	100°C
Brake	Disc Brakes Hydraulic (4x60; 4x70) Ventilated Disc ϕ 405
Tyre	14.00 R20, 395/85 R20
Wheel Mount	20" 10-Bolt - Hub Piloted, 280,8mm (11,06"),
Axle Mounting	From bottom or top side
Weight, Front/Rear	935 Kg / 881 Kg incl. subframe 820 Kg / 770 Kg without subframe

Option:

Suspension	Hydropneumatic
Differential	Drive through differential with IAD 1:1
AWS	Remote electro-hydraulic steering



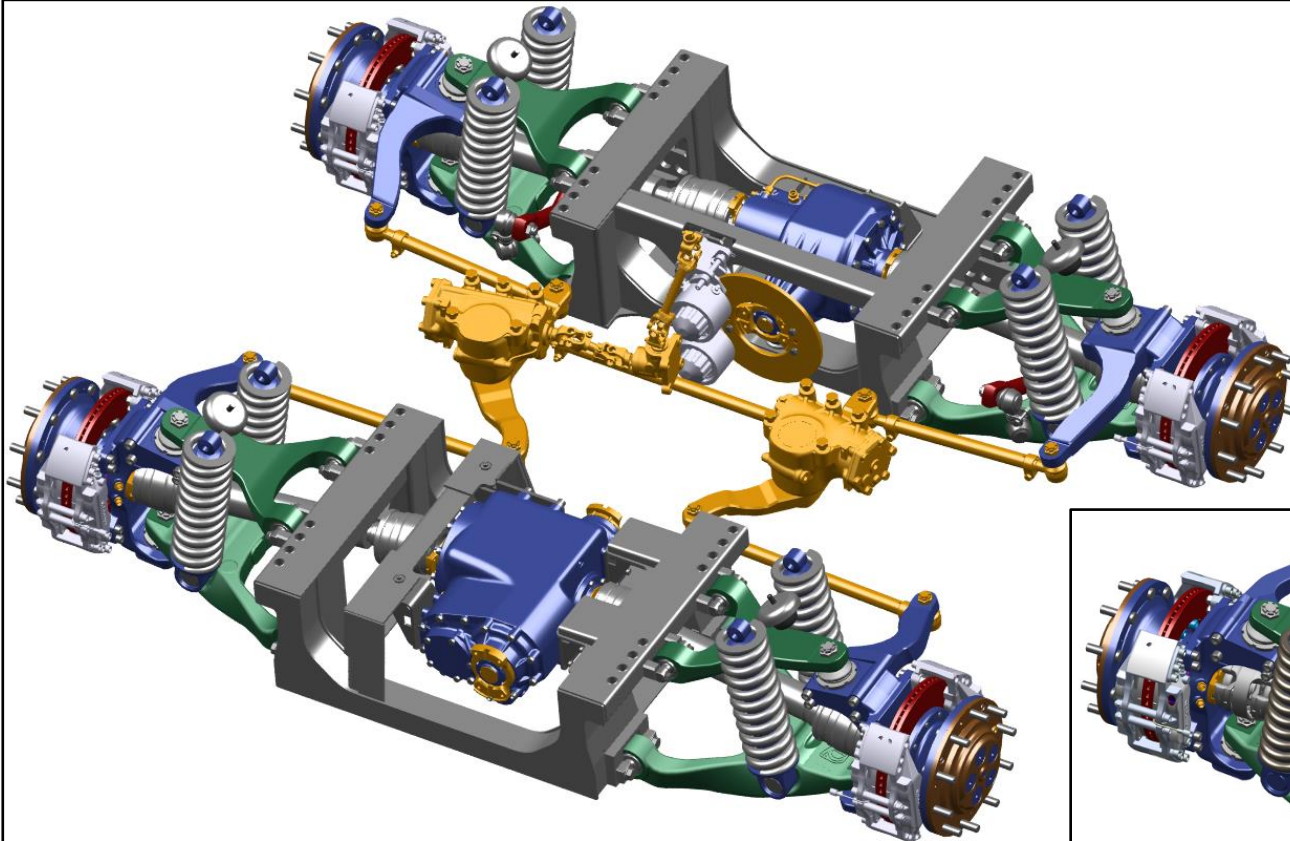
Address: Lubina 462, 742 21 Kopřivnice, CZECH REPUBLIC

Phone: +420 556 808 037, Fax: +420 556 808 685, vneuman@ads-cz.com, www.ads-cz.com

PRODUCT SPECIFICATION

INDEPENDENT SUSPENSION AXLE SYSTEM AX75

1st & 2nd STEERABLE AXLE



FRONT AXLE WITH STEERING MECHANISM

