

PRODUCT SPECIFICATION

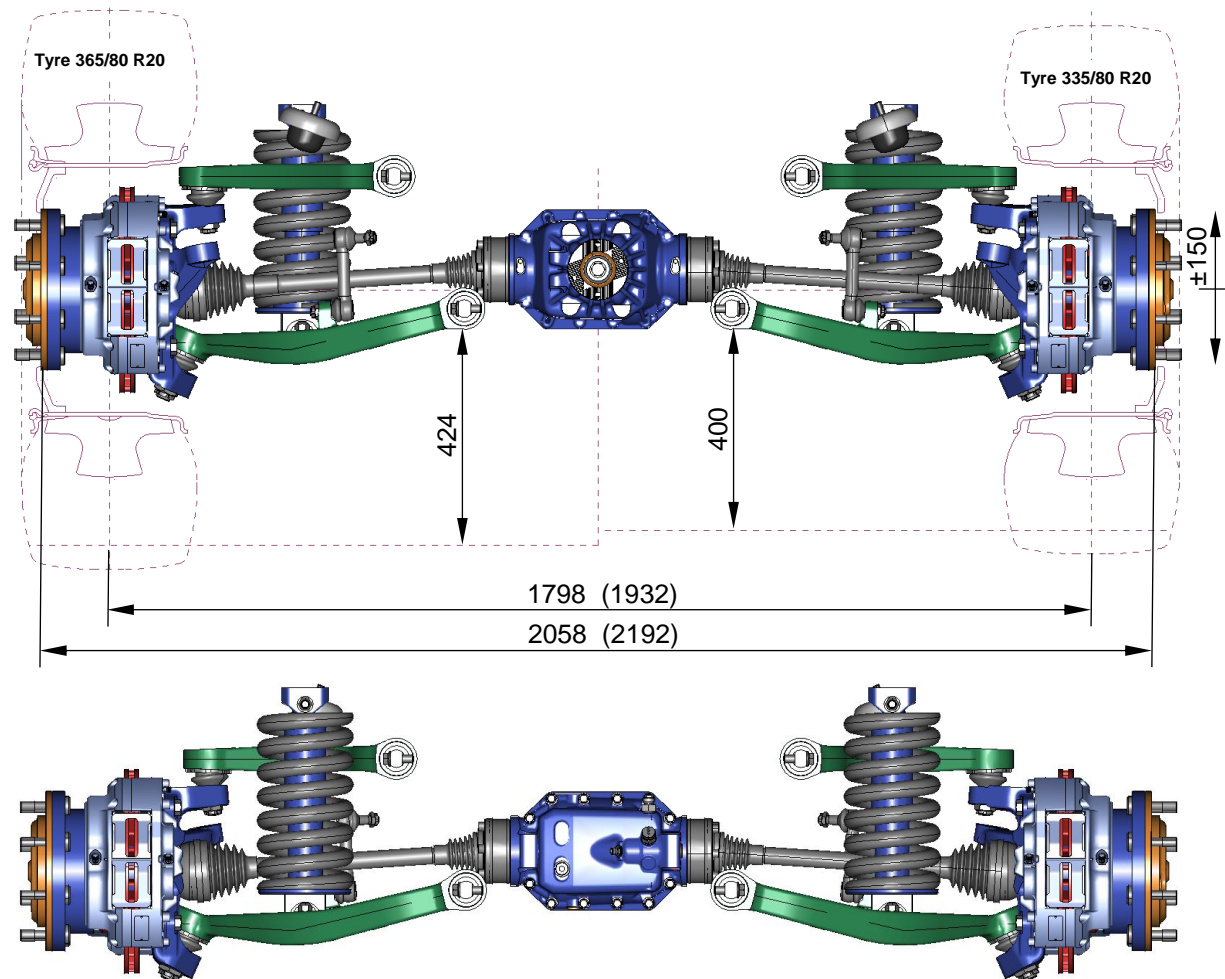
INDEPENDENT SUSPENSION AXLE SYSTEM AX55

TECHNICAL DATA

Static Axle Load, Front/Rear	5 500 kg / 6 500 kg
Axle Differential Ratio	1,38 (1,57)
Wheel Gear Ratio	4,0
Overall Ratio	5,52 (6,28)
Maximum Input Torque	6 500 Nm
Maximum Input Speed	3 600 RPM
Suspension	Coil Spring
Damping	Hydraulic Damper
Total Wheel Travel	300mm
Maximum Wheel Angle Inside / Outside	38,0° / 29,5°
Differential Oil Capacity	approx. 1,6 l
Wheel Gear Oil Capacity	approx. 0,65 l
Oil Specification	SAE 75W-90, Multi Purpose Gear Oil, API-GL-5 or MIL-L-2105C
Max. Working Differential Temperature	120°C
Max. Working Temperature of Wheel Gear	100°C
Brake	Disc Brakes, Ventilated Disc ϕ 405
Tyre	335/80 R20 Standard, 365/80 R20
Wheel Mount	20" 8-Bolt - Stud Piloted, 275mm (10,83")
Weight, Front/Rear	575 kg / 540 kg

Option:

Suspension	Hydropneumatic
AWS	Remote electro-hydraulic steering



Address: Lubina 462, 742 21 Kopřivnice, CZECH REPUBLIC

Phone: +420 556 808 037, Fax: +420 556 808 685, vneuman@ads-cz.com, www.ads-cz.com